

Product Catalogue September 2024



**Diamond Plating Australia Pty Ltd
13 Shearson Crescent, Mentone Vic 3194**

**Ph: +61 3 9584 5566 Fax: +61 3 9583 9339
nicotool@bigpond.net.au
www.diamondplating.com.au**

PRODUCT INDEX

CATEGORY 1: FILES

- 02: Diamond Needle File
- 05: Chain-Saw Sharpening File
- 06: Heavy Duty Engineering File

CATEGORY 2: GRINDING POINTS

- 01: Internal Grinding Point - Diamond or Borazon (CBN) Coated
- 03: Carving Point

CATEGORY 3: DRILLS / HOLE SAWS

- 01: Drill - Hard Tiles
- 02: Hard Tile Drill - Technical Information
- 05: Twist Drill
- 06: Hole Saw
- 07: Hole Saw - Arbor Attachment

CATEGORY 4: COUNTERSINKS

- 01: 90 Degree Countersink

CATEGORY 5: BLADES

- 01: Undercutting Blade
- 02: Saw Blade
- 05: Slitting Saw
- 06: Jig Saw Blade

CATEGORY 6: ROUTERS

- 01: Router
- 02: Edge Forming Router

CATEGORY 7: COMPOUNDS / POWDERS / LUBRICANTS

- 03: Diamond Polishing Compound - Heavy Concentration
- 05: Lubricants - Thinners for Diamond Polishing Compounds

PRODUCT INDEX

CATEGORY 8: SHARPENERS

02: Tool Sharpener – Universal

CATEGORY 9: GRINDING WHEELS

01: Lapidary Disc - Precision Ground

02: Grinding Wheel - Perforated Surface

03: Diamond 6A2 Cup Wheel

05: Diamond Coated Seed Scarifying Plate

CATEGORY 10: DRESSERS

01: T-Bar Dresser

02: Single Point Diamond Dresser

02 - DIAMOND NEEDLE FILE

LENGTH: 140mm
 DIAMOND COATING: 70mm
 SHANK DIAMETER: 3mm

MESH: Indicate type required when ordering.

Coarse: 100/120

Medium: 140/170

Fine: 200/230

CBN: Borazon coating also available. Price on application.



STOCK CODE	TYPE	SHAPE	SIZE	PRICE
10A02	2102t	Barette	5 x 2	18.00
10A08	2112	Equalling	5 x 1	18.00
10A16	2112r	Equalling – Round	5 x 1	18.00
10A22	2122	Taper - Flat	5 x 1	18.00
10A26	2132	Triangle	3	18.00
10A30	2142	Square	3	18.00
10A38	2152	Half - Round	5 x 2	18.00
10A44	2162	Round	3	18.00
10A50	2172	Knife	5 x 1	18.00
10A56	2182	Lozenge	5 x 2	18.00
10A62	2192	Crossing	5 x 2	18.00

*Prices Exclude GST & Freight



05 - CHAIN-SAW SHARPENING FILE

MESH: Medium: 140/170
 APPLICATION: Suitable for sharpening Tungsten Carbide chains.



DIAMETER / MM	DIAMETER / INCH	PRICE
5.48	7/32	71.00
3.96	5/32	62.00
4.76	3/16	66.00
6.35	1/4	73.50

*Prices Exclude GST & Freight



06 - HEAVY DUTY ENGINEERING FILE

LENGTH: 300mm (with handle)
DIAMOND COATING: 195mm
MESH: Extra Coarse: 40/50
 Coarse: 80/100
 Medium: 140/170
 Fine: 200/230
APPLICATION: Steel, stainless steel, tungsten-carbide, ceramics, stone, marble, glass, fibreglass, carbon, graphite, plastics, acrylics, laminates, Kevlar, fibre-cement, Plexiglass, hardened steel, cast iron, etc.



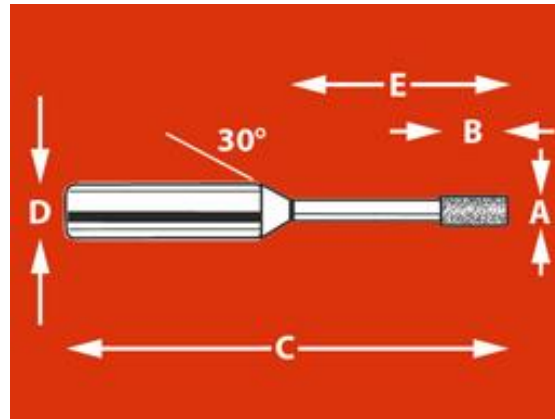
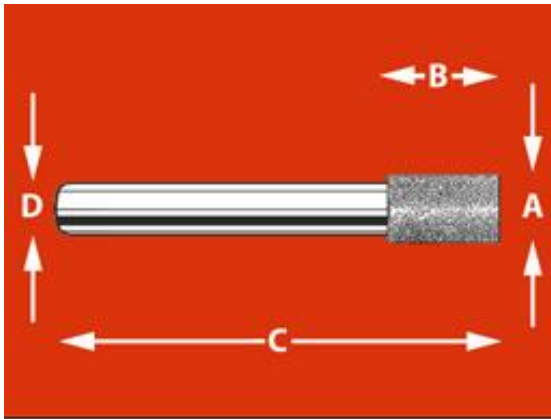
STOCK CODE	TYPE	MESH	PRICE
04A02	FLAT	EXTRA COARSE	151.00
04A03	FLAT	COARSE	145.00
04A04	FLAT	MEDIUM	120.00
04A05	FLAT	FINE	110.00
04A07	TRIANGLE	EXTRA COARSE	139.50
04A08	TRIANGLE	COARSE	134.50
04A09	TRIANGLE	MEDIUM	114.50
04A10	TRIANGLE	FINE	106.00
04A12	SQUARE	EXTRA COARSE	126.00
04A13	SQUARE	COARSE	123.00
04A14	SQUARE	MEDIUM	107.50
04A15	SQUARE	FINE	102.50
04A17	HALF-ROUND	EXTRA COARSE	132.00
04A18	HALF-ROUND	COARSE	124.00
04A19	HALF-ROUND	MEDIUM	111.50
04A20	HALF-ROUND	FINE	109.50
04A22	ROUND	EXTRA COARSE	124.00
04A23	ROUND	COARSE	122.00
04A24	ROUND	MEDIUM	107.50
04A25	ROUND	FINE	102.50

*Prices Exclude GST & Freight



01 - INTERNAL GRINDING POINT – Diamond or Borazon (CBN) Coated

MESH:	Coarse	100/120
	Medium	140/170
	Fine	200/230
DIAMOND:	Suitable for Tungsten Carbide, Ceramics, Glass, Carbon, Plastics, Non-Ferrous Metals etc.	
BORAZON (CBN):	Suitable for Hardened Steels, High Carbon Steels, Chrome, Steel, Cast Iron, Tool Steel, Super Alloys etc.	
SPEED:	Between 20,000 – 80,000 /rpm depending on material. Feeds should vary from 0.005mm to 0.012mm per stroke.	
COOLANT:	Should be used wherever possible, however points may be used successfully with dry application	
SIZE:	Non- standard sizes available on request.	



STOCK CODE	DIAMETER INCH	DIAMETER MM	SHANK DIAMETER INCH OR MM	PRICE
21A06	0.040	1.00	1/8 or 3	62.00
21A10	0.060	1.50	1/8 or 3	50.50
21A14	0.080	2.00	1/8 or 3	50.50
21A18	0.100	2.50	1/8 or 3	50.50
21A22	0.120	3.00	1/8 or 3	52.50
21A26	0.140	3.50	1/8 or 3	52.50
21A30	0.160	4.00	1/8 or 3	48.00
21A34	0.180	4.50	1/8 or 3	48.00
21A38	0.200	5.00	1/8 or 3	48.00
21A40	0.220	5.50	1/4 or 6	48.00
21A42	0.240	6.00	1/4 or 6	48.00
21A44	0.260	6.50	1/4 or 6	48.00
21A46	0.280	7.00	1/4 or 6	60.00
21A48	0.300	7.50	1/4 or 6	60.00



CATEGORY 2: GRINDING POINTS

STOCK CODE	DIAMETER INCH	DIAMETER MM	SHANK DIAMETER INCH OR MM	PRICE
21A50	0.320	8.00	1/4 or 6	60.00
21A52	0.340	8.50	1/4 or 6	61.00
21A54	0.360	9.00	1/4 or 6	61.00
21A56	0.380	9.50	1/4 or 6	61.00
21A58	0.400	10.00	1/4 or 6	61.00
21A60	0.440	11.00	1/4 or 6	62.00
21A62	0.480	12.00	1/4 or 6	65.00
21A64	0.520	13.00	1/4 or 6	67.00
21A66	0.600	15.00	3/8 or 10	90.00
21A68	0.800	20.00	3/8 or 10	90.00

*Prices Exclude GST & Freight



03 - CARVING POINT

SHANK: 2.35 / mm
 APPLICATION: Glass, ivory, jade, opal, shells, gold, silver, other non - hardened metals.
 * Imported



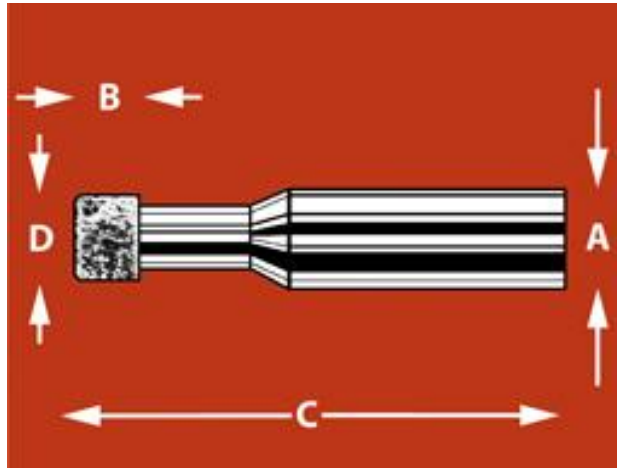
SHAPE	STOCK CODE	PRICE	SHAPE	STOCK CODE	PRICE
BALL	H-11	30.25	WHEEL	H-28	35.50
	H-12	30.25		H-29	38.00
	H-13	30.25		H-30	48.50
	H-14	30.25			
INVERTED CONE 25 deg	H-15	27.50	FLAME	H-25	48.50
	H-16	27.50			
	H-17	45.50			
FLAT END TAPER	H-18	27.50	CONE	H-24	48.50
	H-19	45.50			
	H-26	36.00			
	H-27	54.50			
CYLINDER	H-20	36.00	INVERTED CONE 75 deg	H33	48.50
	H-21	36.00		H34	53.50
	H-22	36.00		H35	35.50
	H-23	50.50		H36	38.00
KNIFE	H31	45.50			

*Prices Exclude GST & Freight



01 - DRILL - Hard Tiles

SHANK: Straight
 MESH: Extra Coarse: 30/40
 APPLICATION: Also suitable for; Granite, Sandstone, Marble, Glass, Fibreglass, Hard Plastic, Graphite, Carbon and other extremely hard (non metallic) materials.
 ADDITIONAL SIZE: Habit Shank available on request. Price on application.



STOCK CODE	DIAMETER (MM)	DIAMETER (INCH)	NEW PRICE
33A06	6	0.236	61.00
33A08	8	0.315	63.00
33A10	10	0.394	66.00
33A12	12	0.472	70.00
33A14	14	0.551	73.00
33A16	16	0.630	76.00
33A18	18	0.708	81.00
33A20	20	0.787	86.00
33A22	22	0.866	96.00
33A25	25	0.984	105.00
33A32	32	1.260	119.00
33A35	35	1.378	125.00
33A38	38	1.496	129.00

*Prices Exclude GST & Freight



05 - TWIST DRILL

APPLICATION: Steel, all metals, stone, granite, fibreglass, hard plastics, tiles, etc.

NB: Do not apply excessive force, unlike ordinary drills, diamond coated drills work on the principle of grinding not cutting.



STOCK CODE	SIZE / MM	PRICE	STOCK CODE	SIZE / MM	PRICE
18A02	2.1	32.00	18A27	5	35.50
18A03	2.8	32.00	18A30	6	39.00
18A06	3	32.00	18A33	6.35	40.00
18A09	3.1	32.00	18A36	6.5	40.00
18A12	3.3	33.00	18A39	8	49.50
18A15	3.5	33.00	18A41	9.5	57.00
18A18	4	34.50	18A43	10	61.00
18A21	4.3	35.50	18A46	10.5	66.00
18A24	4.5	35.50	18A49	12.7	90.00

*Prices Exclude GST & Freight



06 - HOLE SAW

MESH: 40/50 Coarse - Premium Quality Virgin Diamond
APPLICATION: Fibreglass, marble, hard plastic, carbon, Plexiglass, carbon-fibre, granite/90, corian, ceramics, concrete, bricks, stone, etc.
RECOATING: Recoated Hole Saws will always perform as new
 Damaged Hole Saws for recoating will not be accepted.



STOCK CODE	DIAMETER		NEW PRICE
	INCH	MM	
44A02	9/16	14	80.50
44A03	5/8	16	72.50
44A04	11/16	17	72.50
44A05	3/4	19	72.50
44A06	25/32	20	74.50
44A73	13/16	21	74.50
44A07	7/8	22	77.00
44A76	15/16	24	78.50
44A08	1	25	80.00
44A09	1-1/6	27	84.00
44A10	1-1/8	29	85.00
44A11	1-3/16	30	86.00
44A12	1-1/4	32	87.50
44A13	1-5/16	33	88.50
44A14	1-3/8	35	91.00
44A15	1-7/16	37	92.50
44A16	1-1/2	38	93.50
44A18	1-5/8	40	99.00
44A19	1-5/8	41	101.00
44A20	1-11/16	43	102.50
44A21	1-3/4	44	105.00
44A22	1-13/16	46	106.00
44A23	1-7/8	48	108.50
44A24	2	51	109.00
44A25	2-1/16	52	111.50
44A26	2-1/8	54	114.50

STOCK CODE	DIAMETER		NEW PRICE
	INCH	MM	
44A27	2-3/16	56	114.50
44A28	2-1/4	57	114.50
44A29	2-5/16	59	115.50
44A30	2-3/8	60	116.50
44A31	2-1/2	63	119.00
44A33	2-9/16	65	119.00
44A34	2-5/8	67	121.00
44A35	2-3/4	70	121.00
44A36	2-7/8	73	123.00
44A37	3	76	123.00
44A38	3-1/8	79	123.00
44A39	3-1/4	83	124.00
44A40	3-3/8	86	124.00
44A41	3-1/2	89	124.00
44A80	3-5/8	92	124.00
44A42	3-3/4	95	138.50
44A88	3-7/8	98	146.00
44A43	4	102	151.00
44A44	4-3/16	105	156.00
44A90	4-1/4	108	161.00
44A45	4-3/8	111	165.00
44A46	4-9/16	114	177.50
44A48	4-3/4	121	200.50
44A50	5-1/8	127	209.50
44A60	5-1/2	140	222.00
44A70	6	152	248.00

*Prices Exclude GST & Freight



07 - HOLE SAW - Arbor Attachment

NB: Arbor attachments suit 10mm chuck or larger



STOCK CODE	TYPE	DESCRIPTION	CAPACITY	PRICE
46A15	BA - 1	Arbor for Hole Saw incl. HSS Twist Drill	14 mm to 30 mm 9/16" to 1 - 3/16"	42.50
46A20	BA - 2	Arbor for Hole Saw incl. HSS Twist Drill	32 mm to 152 mm 1 - 1/4" to 6"	44.50

*Prices Exclude GST & Freight

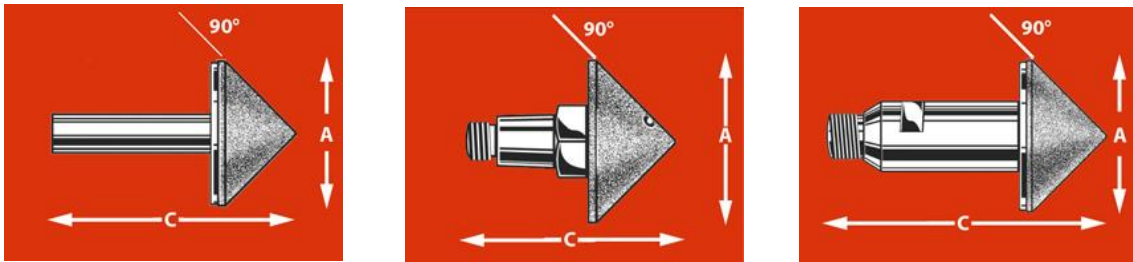


01 - 90 DEGREE COUNTERSINK

MESH: 60/80
 SHANK: Straight

APPLICATION: Glass, fibreglass, ceramic, stone, etc.

REPLATES: ADDITIONAL 10% STRIPPING CHARGE IN ADDITION TO THE PRICES LISTED BELOW.



STOCK CODE	DIAMETER MM	SHANK	PRICE \$ - NEW TOOL	PRICE \$ RECOATING
29DD60	60	STRAIGHT	178.50	108.00
29DE50	50	STRAIGHT	164.00	101.00
29DF40	40	STRAIGHT	154.50	93.50
29DG30	30	STRAIGHT	146.50	91.00
29DH20	20	STRAIGHT	141.00	86.50
29DJ10	10	STRAIGHT	138.50	82.50

*Prices Exclude GST & Freight



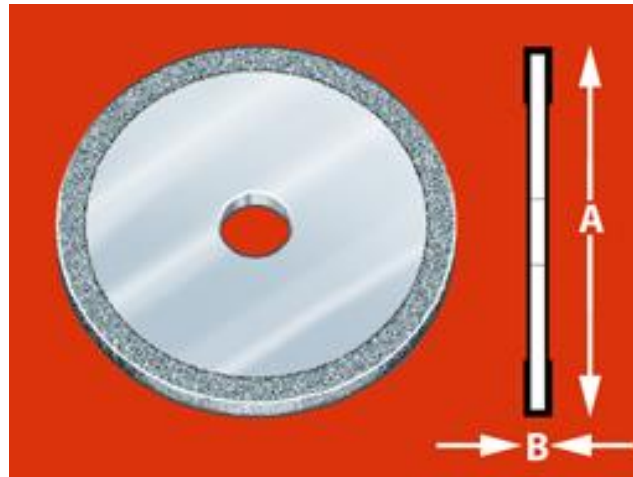
01 - UNDERCUTTING BLADE

APPLICATION:

Cleaning commutators (electric motors), carving gemstones and semi precious stones, grooving in a variety of materials of any hardness, glass and ceramic artistry, dentistry, essential in research (cutting of specimens).

*

Imported



STOCK CODE	DIAMETER	BORE SIZE	BLADE THICKNESS	PRICE
25A18 25A19 25A20 25A21 25A22 25A24 25A25	18 mm	8 or 3 mm	0.4 mm 0.5 mm 0.6 mm 0.7 mm 0.8 mm 0.9 mm 1.0 mm	28.50 28.50 28.50 28.50 28.50 28.50 28.50
25A32 25A33 25A34 25A35 25A36 25A38 25A39	22 mm	8 or 3 mm	0.4 mm 0.5 mm 0.6 mm 0.7 mm 0.8 mm 0.9 mm 1.0 mm	33.50 33.50 33.50 33.50 33.50 33.50 33.50

*Prices Exclude GST & Freight



02 - SAW BLADE

MESH: Coarse: 40/50
APPLICATION: Fibreglass, marble, graphite, hard plastic, carbon, Plexiglass, fibre cement, acrylic, frozen foods, etc.
NB: The finished thickness of the blade will vary as different grit sizes are used. Other mesh and diameter sizes, as well as a Recoating service is available. Prices upon application.



DIAMETER	PRICE CONT. RIM (PLAIN)	PRICE CONT. RIM (SPOKED)	APPROXIMATE BLANK THICKNESS
50 mm (2")	63.00	70.00	0.9 – 1.0 mm
75 mm (3")	70.00	76.00	0.9 – 1.0 mm
100 mm (4")	79.00	85.50	0.9 – 1.0 mm
125 mm (5")	86.50	92.50	0.9 – 1.0 mm
150 mm (6")	129.00	137.00	1.2 – 1.4 mm
175 mm (7")	152.00	159.00	1.2 – 1.4 mm
200 mm (8")	200.00	207.00	1.3 – 1.5 mm
225 mm (9")	241.00	243.00	1.5 – 1.7 mm
250 mm (10")	311.00	343.00	1.7 – 1.9 mm
300 mm (12")	430.00	445.00	2.0 – 2.2 mm
350 mm (14")	483.00	506.00	2.2 – 2.4 mm
400 mm (16")	677.00	700.00	2.2 – 2.4 mm
450 mm (18")	760.00	782.00	2.4 – 2.6 mm
500 mm (20")	975.00	1004.00	2.4 – 2.6 mm
550 mm (22")	1155.00	1180.00	2.9 – 3.1 mm

*Prices Exclude GST & Freight



06 - JIG SAW BLADE

TYPE: BOSCH
SUITABLE FOR: AEG – Black & Decker (New) – Bosch – Dewalt – ELU – Festo – GMC – Hitachi – Makita (New) – Metabo
MESH: 40/50 Coarse
APPLICATION: Fiberglass, marble, glass, rock, carbon, soft tiles, plastics, ceramics, graphite, acrylics, laminates, Kevlar, fibre-cement, poly carbon.



STOCK ITEM	LENGTH	DIAMOND COATING	STYLE	NETT PRICE
42A05	100 mm	70MM	Bosch	53.00
42A10	76 mm	50MM	Bosch	45.00

*Prices Exclude GST & Freight

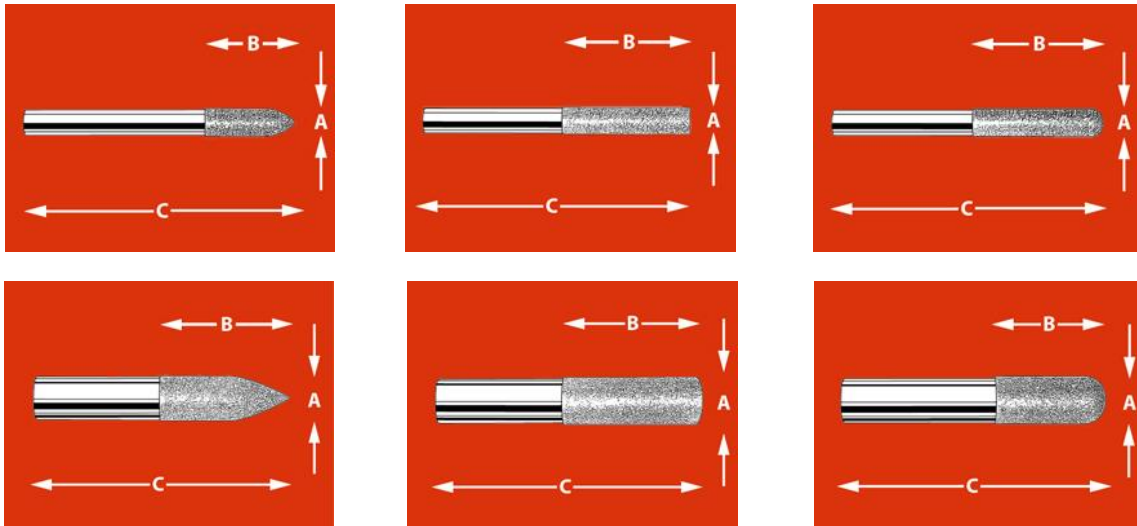


01 - ROUTER

MESH: Coarse: 40/50

APPLICATION: Fibreglass, marble, stone, carbon, carbon fibre, corian, granite/90, Aztec, glass, ceramics, etc.

RECOATING: A recoating service is available upon request. Recoated tools perform as new, however are considerably lower in price.



STOCK CODE	TYPE	DIAMETER		DIAMOND LENGTH (MM)	PRICE 40/50 MESH
		INCH	MM		
43A32	Straight	1/4	6	10	82.50
43A33		1/4	6	10	
43A34		1/4	6	20	85.50
43A35		1/4	6	20	
43A36		1/4	6	30	87.50
43A37		1/4	6	30	
43A38		1/4	6	40	90.00
43A39		1/4	6	40	
43A40		1/4	6	50	92.50
43A41		1/4	6	50	
43A42		Piercing	1/4	6	10
43A43	1/4		6	10	
43A44	1/4		6	20	85.50
43A45	1/4		6	20	
43A46	1/4		6	30	87.50
43A47	1/4		6	30	
43A48	1/4		6	40	90.00
43A49	1/4		6	40	
43A50	1/4		6	50	92.50
43A51	1/4		6	50	

*Prices Exclude GST & Freight



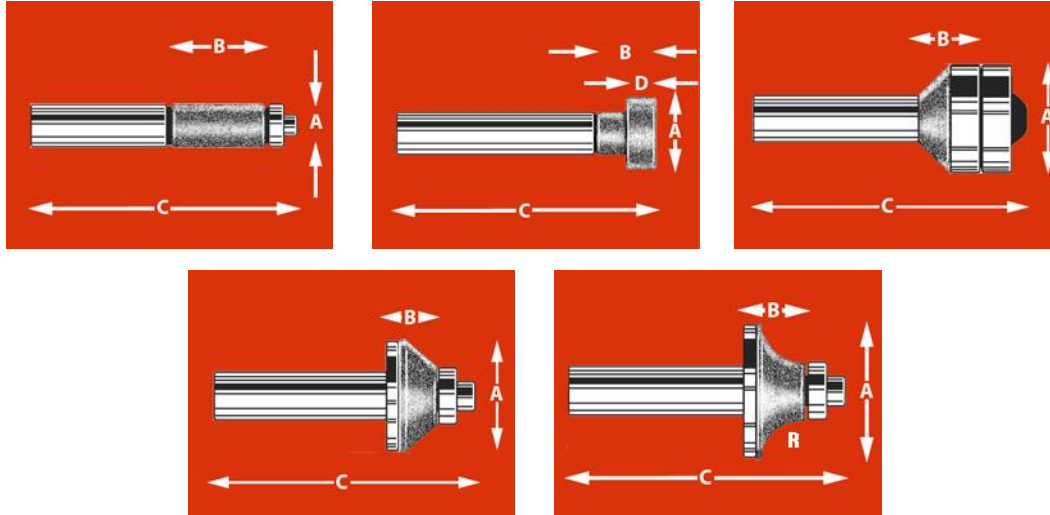
STOCK CODE	TYPE	DIAMETER		DIAMOND LENGTH (MM)	PRICE 40/50 MESH
		INCH	MM		
43A52	Bullnose	1/4	6	10	82.50
43A53		1/4	6	10	
43A54		1/4	6	20	85.50
43A55		1/4	6	20	
43A56		1/4	6	30	87.50
43A57		1/4	6	30	
43A58		1/4	6	40	90.00
43A59		1/4	6	40	
43A60		1/4	6	50	92.50
43A61		1/4	6	50	
43B02	Straight	1/2	13	10	87.50
43B03		1/2	13	10	
43B04		1/2	13	20	90.50
43B05		1/2	13	20	
43B06		1/2	13	30	92.50
43B07		1/2	13	30	
43B08		1/2	13	40	95.50
43B09		1/2	13	40	
43B10		1/2	13	50	98.00
43B11		1/2	13	50	
43B12	Piercing	1/2	13	10	88.50
43B13		1/2	13	10	
43B14		1/2	13	20	91.50
43B14		1/2	13	20	
43B16		1/2	13	30	93.50
43B17		1/2	13	30	
43B18		1/2	13	40	97.00
43B19		1/2	13	40	
43B20		1/2	13	50	99.00
43B21		1/2	13	50	
43B22	Bullnose	1/2	13	10	88.50
43B23		1/2	13	10	
43B24		1/2	13	20	91.50
43B25		1/2	13	20	
43B26		1/2	13	30	93.50
43B27		1/2	13	30	
43B28		1/2	13	40	97.00
43B29		1/2	13	40	
43B30		1/2	13	50	99.00
43B31		1/2	13	50	

*Prices Exclude GST & Freight



02 - DIAMOND EDGE FORMING ROUTER

MESH: Coarse: 40/50 (Other mesh sizes available upon request)
 APPLICATION: Fibreglass, marble, glass, rock, carbon, soft tiles, etc.



STOCK CODE	TYPE	SIZE (MM)	INCL. BEAR.	NEW PRICE
45M03	Round Over	3.5	Yes	132.00
45M05	Round Over	6	Yes	132.00
45M10	Round Over	10	Yes	143.00
45M15	Round Over	12	Yes	143.00
45M45	Tee Head	20	No	105.00
45M50	Tee Head	30	No	107.00
45M65	Chamfer 45 degree	30	Yes	143.00
45M75	Under Cutting 45 degree	30	Yes	143.00
45M85	Straight Bit	12.7	Yes	132.00

*Prices Exclude GST & Freight



03 - DIAMOND POLISHING COMPOUND Nico Brand

HEAVY CONCENTRATION (Oil and Water Soluble)

SIZE: 5 gram Syringes
 DIAMOND: Premium SJK-5 Virgin Quality
 AVAILABILITY: HOS = oil soluble, HWS = water soluble
 * Imported

OTHER GRADES AND CONCENTRATIONS AVAILABLE ON REQUEST



STOCK CODE	GRADE	COLOUR CODE	MICRON	MESH	PRICE
66A04	1/8	Grey	0-1/4	200 000	51.00
66A06	1/4	Grey	0-1/2	100 000	48.00
66A08	1/2	Grey	0-1	60 000	48.00
66A10	3/4	Grey	1/2-1	28 000	48.00
66A14	1	Grey	0-2	14 000	48.00
66A16	1.75	Pink	1/2-2.5	12 000	49.00
66A20	2	Pink	1-3	11 000	49.00
66A24	3	Yellow	2-4	8 000	49.00
66A38	6	Orange	4-8	3 000	51.00
66A40	7	Green	6-9	2 800	51.00
66A46	9	Green	6-12	1 800	51.00
66A50	12	Green	8-15	1 600	51.00
66A52	13	Green	10-16	1 500	51.00
66A56	15	Pale Blue	10-20	1 200	51.00
66A62	17	Dark Blue	15-20	1 100	51.00
66A64	20	Dark Blue	17-23	950	51.00
66A68	21	Dark Blue	18-24	875	51.00
66A72	25	Red	20-30	800	51.00
66A76	30	Red	22-36	600	51.00
66A88	45	Brown	40-50	460	51.00
66A98	60	Purple	50-70	270	51.00
66B08	90	Purple	75-110	230	51.00

*Prices Exclude GST & Freight



05 - LUBRICANTS – Thinners for Diamond Polishing Compounds

*

Imported



SIZE	DESCRIPTION	PRICE
1 litre	Type A – Suitable for oil-soluble polishing compounds.	100.00
1 litre	Type B – Suitable for water-soluble polishing compounds.	100.00

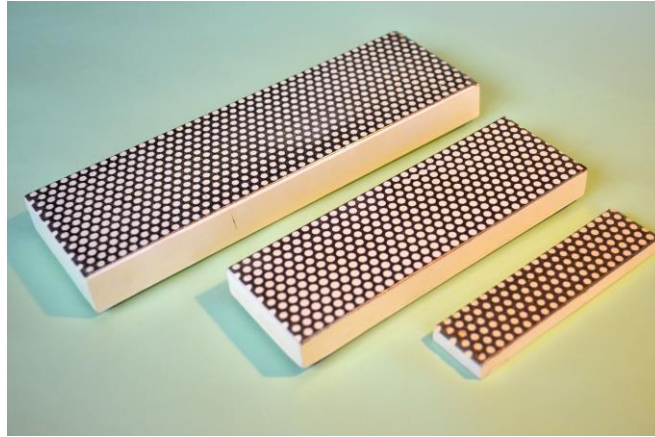
*Prices Exclude GST & Freight



02 - TOOL SHARPENER - Universal

MESH: Fine: 600
 Medium: 400
 Coarse: 200
 Extra Coarse 120

APPLICATION: Scissors, secateurs, hunting knives, arrows, skates, skis, chisels, drills, glass, ceramics, etc.



SIZE (INCH)	SIZE (MM)	PRICE			
		FINE	MEDIUM	COARSE	EXTRA COARSE
4 x 1	100 x 25	43.00	45.00	47.00	51.00
6 x 2	150 x 50	70.00	71.00	75.00	88.00
8 x 2 1/2	200 x 63	100.00	104.00	111.00	132.00

*Prices Exclude GST & Freight



01 - LAPIDARY DISC - Precision Ground

SPEED: Recommended speeds for both 6" and 8" discs is approximately 300 – 2000 RPM

APPLICATION: Steel, stainless steel, tungsten-carbide, ceramics, stone, marble, glass, fibreglass, carbon, graphite, plastics, acrylics, laminates, Kevlar, fibre-cement, Plexiglass, hardened steel, cast iron, etc.

NB: Maximum diamond concentration, fast cutting – long lasting
Always use entire face of disc when cutting
DO NOT RUN DRY.



DIA.	GRIT	MESH	NEW PRICE
6"	Very Coarse	100	258.00
6"	Coarse	180	224.00
6"	Medium Coarse	260	203.00
6"	Medium Fine	325	197.00
6"	Fine	600	182.00
6"	Very Fine	1200	177.00
8"	Very Coarse	100	313.00
8"	Coarse	180	300.00
8"	Medium Coarse	260	264.00
8"	Medium Fine	325	243.00
8"	Fine	600	224.00
8"	Very Fine	1200	215.00

*Prices Exclude GST & Freight



02 - GRINDING WHEEL - Perforated Surface

WIDTH: 1.5" (38 mm)
 SPEED: Recommended - 6" Wheel 2000 / RPM
 - 8" Wheel 1500 / RPM
 BUSH: 1/2", 5/8", or 3/4"
 APPLICATION: All lapidary requirements, stone, glass, wood, ceramics,
 Tungston Carbide, hardened steel, etc.
 NB: Coolant should always be used.



STOCK CODE	DIAMETER / WIDTH		MESH	NEW PRICE
	INCH	MM		
51A04	6 x 1.5	150 x 38	60	350.00
51A05	6 x 1.5	150 x 38	80	309.00
51A10	6 x 1.5	150 x 38	100	300.00
51A15	6 x 1.5	150 x 38	180	291.00
51A20	6 x 1.5	150 x 38	260	291.00
51A25	6 x 1.5	150 x 38	325	291.00
51A30	6 x 1.5	150 x 38	600	279.00
51A34	8 x 1.5	200 x 38	60	406.00
51A35	8 x 1.5	200 x 38	80	388.00
51A40	8 x 1.5	200 x 38	100	375.00
51A45	8 x 1.5	200 x 38	180	363.00
51A50	8 x 1.5	200 x 38	260	351.00
51A55	8 x 1.5	200 x 38	325	345.00
51A60	8 x 1.5	200 x 38	600	333.00

*Prices Exclude GST & Freight



03 - DIAMOND 6A2 CUP WHEEL

DIAMETER: 6" (150 mm)
 WIDTH: 1" (25 mm)
 BORE: 31.75mm

APPLICATION: Standard Synthetic Diamond: For general purpose - Tungsten Carbide, high speed steel / carbide combinations, mild steel, graphite, stone, hard rubber, plastics, wood, glass, leather, ceramics, bone, sharpening lathe cutting tools, etc.

Premium Synthetic Diamond: Specifically coated with high quality diamond for fast cutting/grinding of tungsten carbide and high-tech hard ceramics.

CBN – Borazon: Used on hardened steel and high speed steel only.

NB: Fast and free cutting, causes no heat damage or distortion, runs cool – its unique design allows for wet or dry grinding, holds its shape and may be recoated at an even lower cost.

STOCK CODE	GRIT	MESH	TYPE	NEW PRICE
52A05 52A10 52A15	Coarse Medium Fine	Standard Synthetic D151 D107 D76	Diamond Diamond Diamond	126.00 111.00 102.00
52A20 52A25 52A30	Coarse Medium Fine	Premium Synthetic MBG-D151 MBG-D107 MBG-D76	Diamond Diamond Diamond	204.00 164.00 138.00
52A35 52A40 52A45	Coarse Medium Fine	CBN-B151 CBN-B107 CBN-B76	Borazon Borazon Borazon	206.00 164.00 140.00

*Prices Exclude GST & Freight



05 - DIAMOND COATED SEED SCARIFYING PLATE

SIZE: Special sizes may be coated as well as manufactured.
Prices upon application.

APPLICATION: Clover and Lucern seeds and where husking is required.

FIELD TEST RESULTS: One diamond-coated plate processed 127 tonnes of Lucern without evident wear of the plate. After two years, the plate still gives 100% non-stop performance during the busy seeds cleaning season.
Diamond coated scarifying plates eliminate costly shut downs relating to recovering existing plates with emery or garnet paper.
De-husking – special diamond coated plates available for de-husking a variety of products.

DIAMETER	MESH	NEW	RE-COATING
600mm	40 / 50 D427	3000.00	2035.00 + 10% stripping

*Prices Exclude GST & Freight



01 - T - BAR DRESSER

SIZE: 40 mm x 10mm (Standard) and 50mm x 12mm (Heavy Duty)
MESH: Coarse: 40/50
 Extra Coarse: 25/35
TECHNICAL: Will dress all standard aluminium oxide or silicon carbide grinding wheels up to 200/mm (8") diameter
 Will shape the grinding wheel to required form
APPLICATION: Will remove accumulated debris from surface of grinding wheel
 An indispensable tool for dressing standard bench-grinder wheels.



STOCK CODE	TYPE	DIAMOND SURFACE	MESH SIZE	PRICE
89A1	STANDARD	40 x 10/MM	40 / 50	60.00
89A2	HEAVY DUTY	50 x 12/MM	25 / 35	74.00

*Prices Exclude GST & Freight



02 - SINGLE POINT DIAMOND DRESSER

SHANK:
*

1/2" diameter and 3/8" diameter
Imported



STOCK CODE	CARAT SIZE	PRICE
94A30	0.50	58.00
94A40	1.00	83.00

*Prices Exclude GST & Freight

